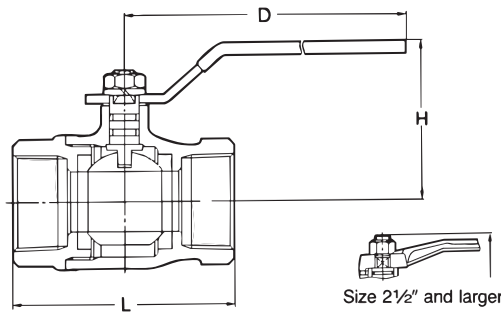


**Fig. T**



**Type 400**

**Screwed body cap, PTFE seats, Blowout-proof stem, Threaded ends to BS21 or NPT.**



2.76 MPa (400 psi) W.O.G. non-shock  
0.69 MPa (100 psi) W.O.G. 150°C

**Materials**

Parts	Material
Body	Brass/bronze*
Body cap	Brass/bronze*
Stem	K-Metal <sup>☆</sup>
Ball	Brass (chrome plated)
Ball seat	PTFE
O-ring	FPM
Handle	1/4"~2" Stainless steel (vinyl grip) 2 1/2"~4" Ductile iron

<sup>☆</sup> K-Metal is a special brass developed for anti-dezincification.  
\* Bronze for 4".

**Dimensions**

Valve size	inch	1/4	3/8	1/2	3/4	1	1 1/4	1 1/2	2	2 1/2	3	4
	mm	8	10	15	20	25	32	40	50	65	80	100
Bore size		10	10	10	15	20	25	32	40	50	65	80
L	End to end	50	50	65	68	79	86	96	109	127	153	179
H	Height	45	45	45	50	55	60	65	75	91	105	124
D	Length of handle	80	80	100	100	130	130	130	150	200	300	400

**Test pressure:**

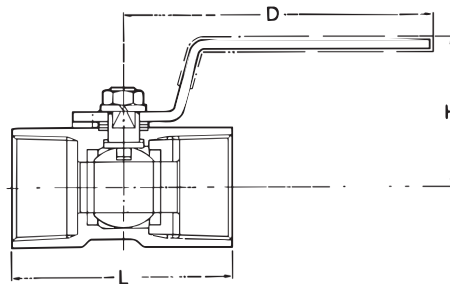
Shell 4.14 MPa (600 psi) (Hydrostatic)  
Seat 0.55 MPa (80 psi) (Air)

**Fig. TK**



**Type 600**

**One-piece body, Reinforced PTFE seats, Blowout-proof stem, Threaded ends to BS21 or NPT.**



4.14 MPa (600 psi) W.O.G. non-shock  
1.03 MPa (150 psi) W.O.G. 150°C

**Materials**

Parts	Material
Body	Brass
Stem	K-Metal <sup>☆</sup>
Ball	Brass (chrome plated)
Ball seat	Reinforced PTFE
Gland packing	Reinforced PTFE
Handle	Stainless steel (vinyl grip)

<sup>☆</sup> K-Metal is a special brass developed for anti-dezincification.

TK... Threaded ends to BS21

**Dimensions**

Valve size	inch	1/8	1/4	3/8	1/2	3/4	1	1 1/4	1 1/2	2
	mm	6	8	10	15	20	25	32	40	50
Bore size		4.5	5	7	9.2	12.5	16	20	24.5	32
L	End to end	32	39	44	56.5	59	71	78	83	100
H	Height	31	31	36	41	44	48	54	65	72
D	Length of handle	60	60	70	85	85	100	100	125	125

**Test pressure:**

Shell 6.20 MPa (900 psi) (Hydrostatic)  
Seat 0.55 MPa (80 psi) (Air)

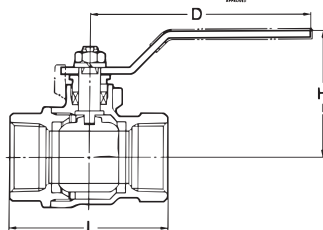
**Fig. AKTAF**



**Type 600**

**Screwed body cap, Blowout-proof stem, PTFE seat, Threaded ends to NPT.**

Specifications : MSS-SP-110  
Approvals : American Gas Association, USA  
 Canadian Gas Association, CANADA  
 Underwriters Laboratories, USA  
 Factory Mutual Engineering, USA



4.14 MPa (600 psi) W.O.G. non-shock  
1.03 MPa (150 psi) W.S.P. saturated

**Materials**

Parts	Material
Body	Brass/bronze*
Cap	Brass/bronze*
Stem	K-Metal <sup>☆</sup>
Ball	Brass/bronze (chrome plated)
Ball seat	PTFE
Gland packing	PTFE
Handle	Carbon steel

<sup>☆</sup> K-Metal is a special brass developed for anti-dezincification.  
\* Bronze for 2 1/2" and larger.

**Test pressure:** Shell 6.20 MPa (900 psi) (Hydrostatic)

Seat 0.55 MPa (80 psi) (Air)

**Dimensions**

Valve size	inch	1/4	3/8	1/2	3/4	1	1 1/4	1 1/2	2	2 1/2	3	4
	mm	8	10	15	20	25	32	40	50	65	80	100
L	Threaded end to end	41	42	53	60	72	82	92	105	135	156	192
H	Height	39	39	42	51	58	64	73	80	108	122	140
D	Length of handle	80	80	80	100	130	130	150	150	200	300	300

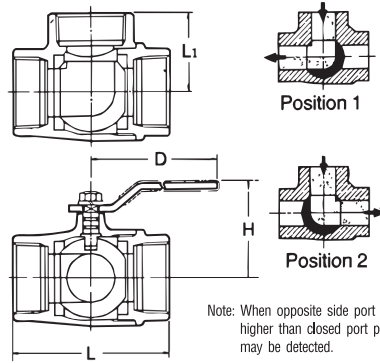
**3-Way body, Screwed body cap, L-port ball, PTFE seats  
Blowout-proof stem, Threaded ends to BS21 or NPT, or  
solder joint ends.\***

2.76 MPa (400 psi) W.O.G. non-shock  
0.69 MPa (100 psi) W.O.G. 150°C

**Fig. TN**



**TYPE 400**



Note: When opposite side port pressure is higher than closed port pressure, a little leakage may be detected.

**★ Caution**

Solder joint end valves should not be used in service where the temperature of the line fluid is higher than the softening point of solder.

**Materials**

Parts	Material
Body	Brass/bronze*
Body cap	Brass
Stem	K-Metal <sup>☆</sup>
Ball	Brass (chrome plated)
Ball seat	PTFE
O-ring	FPM
Handle(1/2"~2")	Stainless steel (vinyl grip)
(2 1/2"~3")	Ductile iron

<sup>☆</sup> K-Metal is a special brass developed for anti-dezincification.  
\* Bronze for 2 1/2" and larger.

**Dimensions**

Valve size	inch mm	mm									
		1/4 8	3/8 10	1/2 15	3/4 20	1 25	1 1/4 32	1 1/2 40	2 50	2 1/2 65	3 80
Bore size		4.5	6.8	10	15	20	25	32	40	50	65
L	Threaded end to end	40	46	67	68	79	89	100	115	138	166
L <sub>1</sub>	Center to end	20	23	33.5	34	39.5	44.5	50	57.5	69	83
L <sub>2</sub>	Solder end to end	-	-	56	74	88	99	114	136	-	-
H	Height	30	34	45	48	55	60	65	75	91	105
D	Length of handle	60	80	100	100	130	130	130	150	200	300
G		-	-	12.7	19.1	23.1	24.6	27.7	34.0	-	-

**Test pressure:**

Shell 4.14 MPa (600 psi) (Hydrostatic)  
Seat 0.55 MPa (80 psi) (Air)