



บริษัท อุดมกิจ ฟิตติ้ง วาล์ว จำกัด

UDOMKIT FITTING VALVE CO., LTD.

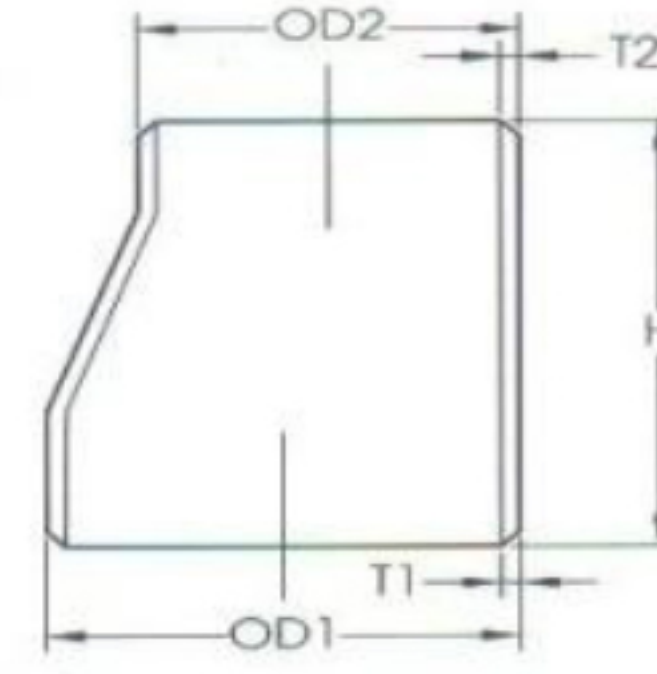
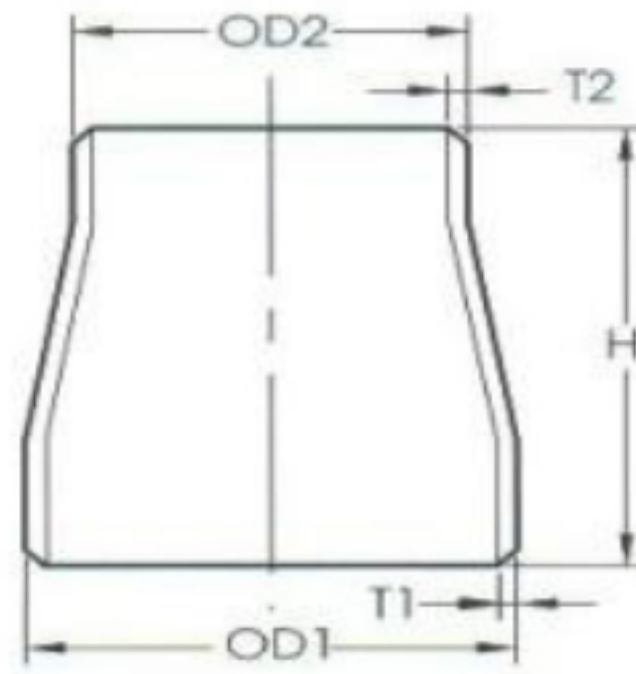
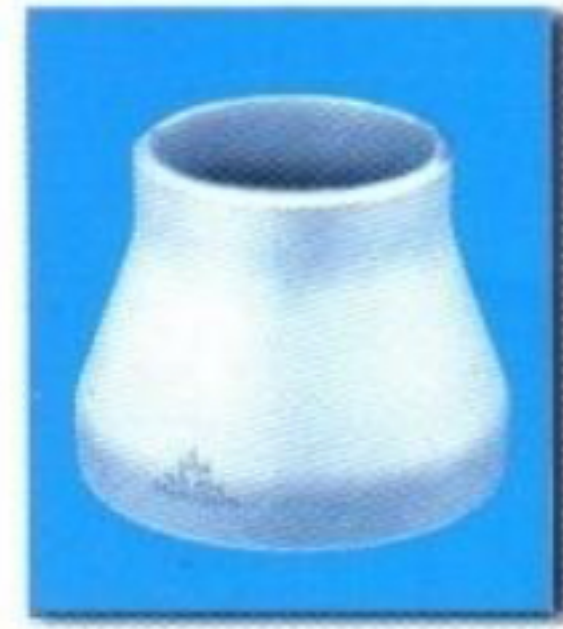
12/4 ซอยสุขสวัสดิ์ 15/1 ถนนสุขสวัสดิ์ แขวงบางปะกอก เขตราษฎร์บูรณะ กรุงเทพฯ 10140

โทร. 02-4282114 แฟกซ์ 02-4282125

E-mail : ugroups@hotmail.com Website : <http://www.udomkit.com>

ศูนย์รวมอุปกรณ์ ท่อ วาล์ว และวัสดุโรงงานทุกชนิด

ECC.,CON REDUCERS STEEL, SEAM AND SEAMLESS



Dimension		(Unit : mm)							Weight (Unit : Kg)			
Nominal Pipe Size		Outside Dia. OD1	Outside Dia. OD2	Wall Thickness (T1,T2)				Length H	Nominal Pipe Size		Sch.40S	Sch.80S
in	mm			Sch.40S		Sch.80S			in	mm		
				T1	T2	T1	T2					
3/4x1.1/2	20x15	27.20	21.70	2.90	2.80	3.90	3.70	38.10	3/4x1.1/2	20x15	0.060	0.070
1x1/2	25x15	34.00	21.70	3.40	2.80	4.50	3.70	50.80	1x1/2	25x15	0.100	0.120
1x3/4	25x20	34.00	27.20	3.40	2.90	4.50	3.90	50.80	1x3/4	25x20	0.110	0.140
1.1/4x1	32x25	42.70	34.00	3.60	3.90	4.90	4.50	5.800	1.1/4x1	32x25	0.150	0.200
1.1/2x1/2	40x15	48.60	21.70	3.70	2.80	-	-	63.50	1.1/2x1/2	40x15	-	-
1.1/2x3/4	40x20	48.60	27.20	3.70	2.90	5.10	3.90	63.50	1.1/2x3/4	40x20	0.180	0.240
1.1/2x1	40x25	48.60	34.00	3.70	3.40	5.10	4.50	63.50	1.1/2x1	40x25	0.210	0.270
1.1/2x1.1/4	40x32	48.60	42.70	3.70	3.60	5.10	4.90	63.50	1.1/2x1.1/4	40x32	0.240	0.320
2x3/4	50x20	48.60	27.20	3.90	2.90	-	-	76.20	2x3/4	50x20	0.380	-
2x1	50x25	60.50	34.00	3.90	3.40	5.50	4.50	76.20	2x1	50x25	0.300	0.400
2x1.1/4	50x32	60.50	42.70	3.90	3.60	5.50	4.90	76.20	2x1.1/4	50x32	0.340	0.450
2x1.1/2	50x40	60.50	48.60	3.90	3.70	5.50	5.10	88.90	2x1.1/2	50x40	0.360	0.490
2.1/2x1	65x25	60.50	34.00	5.20	3.40	-	-	88.90	2.1/2x1	65x25	0.620	-
2.1/2x1.1/4	65x32	76.30	42.70	5.20	3.60	7.00	4.90	88.90	2.1/2x1.1/4	65x32	0.530	0.700
2.1/2x1.1/2	65x40	76.30	48.60	5.20	3.70	7.00	5.10	88.90	2.1/2x1.1/2	65x40	0.570	0.750
2.1/2x2	65x50	76.30	60.50	5.50	3.90	7.00	5.50	88.90	2.1/2x2	65x50	0.640	0.850
3x1	80x25	76.30	34.00	5.50	3.40	-	-	88.90	3x1	80x25	0.860	-
3x1.1/4	80x32	89.10	42.70	5.50	3.60	-	-	88.90	3x1.1/4	80x32	0.920	-
3x1.1/2	80x40	89.10	48.60	5.50	3.70	7.60	5.10	88.90	3x1.1/2	80x40	0.650	0.870
3x2	80x50	89.10	60.50	5.50	3.90	7.60	5.50	88.90	3x2	80x50	0.720	0.980
3x2.1/2	80x65	89.10	76.30	5.50	5.20	7.60	7.00	88.90	3x2.1/2	80x65	0.910	1.210
4x1.1/2	100x40	89.10	48.60	6.00	3.70	-	-	101.60	3x1.1/2	100x40	-	-
4x2	100x50	114.30	60.50	6.00	3.90	8.60	5.50	101.60	4x2	100x50	1.020	1.420
4x2.1/2	100x65	114.30	76.30	6.00	5.20	8.60	7.00	101.60	4x2.1/2	100x65	1.260	1.710
4x3	100x80	114.30	89.10	6.00	5.50	8.60	7.60	101.60	4x3	100x80	13.80	1.900
5x3.1/2	125x80	139.80	89.10	6.60	5.50	9.50	8.10	127.00	5x3.1/2	125x80	2.050	3.080
5x4	125x100	139.80	114.30	6.60	6.00	9.50	8.60	127.00	5x4	125x100	2.380	3.340
6x2.1/2	150x65	165.20	76.30	7.10	5.20	-	-	139.70	6x2.1/2	150x65	-	-
6x3	150x80	165.20	89.10	7.10	5.50	11.00	7.60	139.70	6x3	150x80	2.620	3.780
6x4	150x100	165.20	114.30	7.10	6.00	11.00	8.60	137.70	6x4	150x100	3.000	4.380
6x5	150x125	165.20	139.80	7.10	6.60	11.00	9.60	152.40	6x5	150x125	3.430	5.030
8x4	200x100	216.30	114.30	8.20	6.00	12.70	8.60	152.40	8x4	200x100	6.180	6.180
8x5	200x125	216.30	139.80	8.20	6.60	12.70	9.50	152.40	8x5	200x125	4.910	7.130
8x6	200x150	216.30	165.20	8.20	7.10	12.70	11.00	152.40	8x6	200x150	5.260	7.960
10x5	250x125	267.40	139.80	9.30	6.60	15.10	9.50	177.80	10x5	250x125	6.390	10.300
10x6	250x150	267.40	165.20	9.30	7.10	15.10	11.00	177.80	10x6	250x150	7.480	11.600
10x8	250x200	267.40	216.30	9.30	8.20	15.10	12.70	177.80	10x8	250x200	8.940	13.900
12x6	300x150	318.50	165.20	10.30	7.10	17.40	11.00	203.20	12x6	300x150	10.200	16.200
12x8	300x200	318.50	216.30	10.30	8.20	17.40	12.70	203.20	12x8	300x200	12.000	19.000
12x10	300x250	318.50	267.40	10.30	9.30	17.40	15.10	203.20	12x10	300x250	13.900	22.500

Note : 1. The shape of reducer size 16" and larger can be manufactured to conical type without the tangent.